

brand	FLYMO
-------	-------

date	JUN/03	SHEET 1/2
------	--------	-----------

Model	Prefix
POWER TRIM 700 EURO	01

Product number
953900332

FIGURE 1

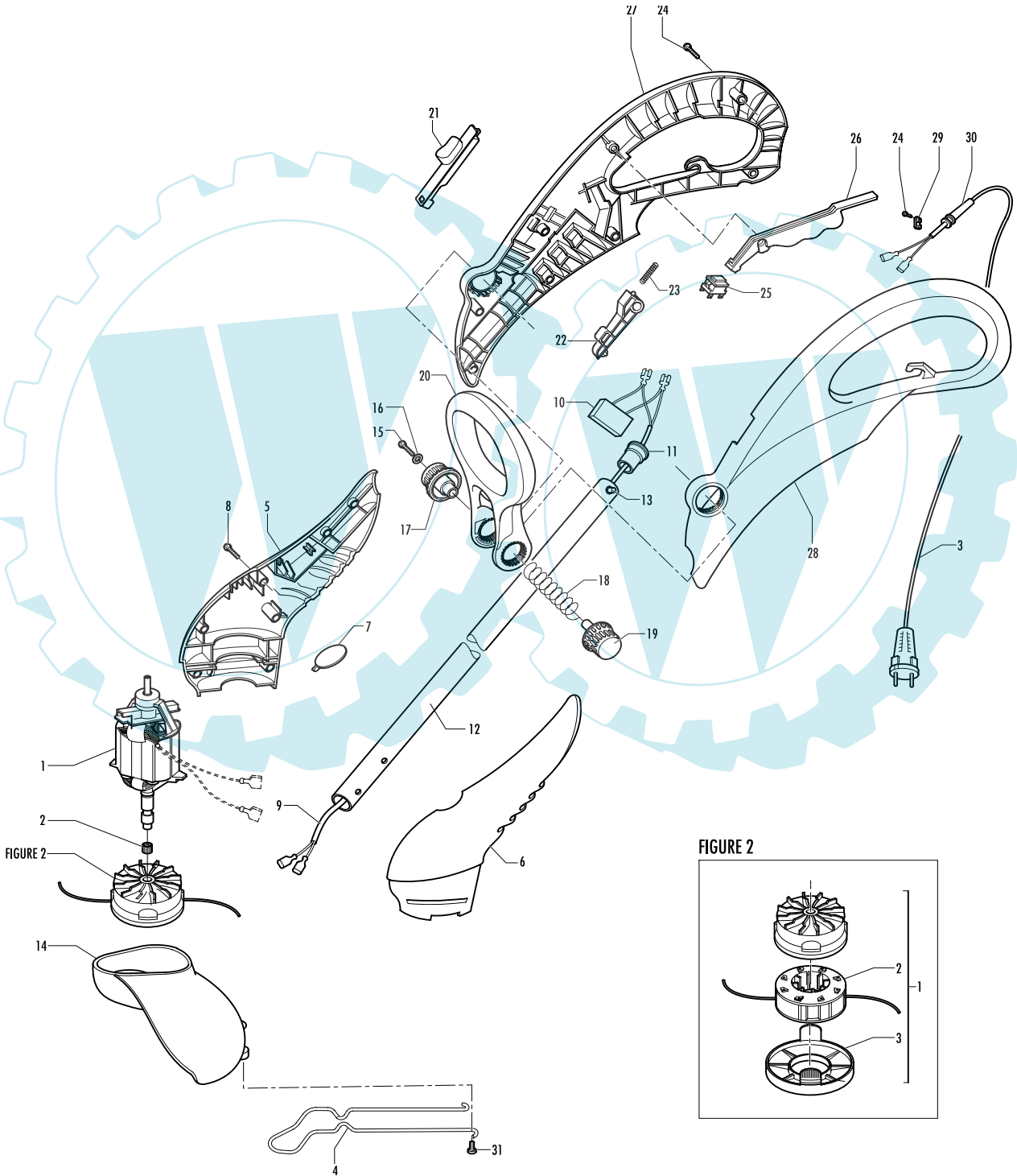
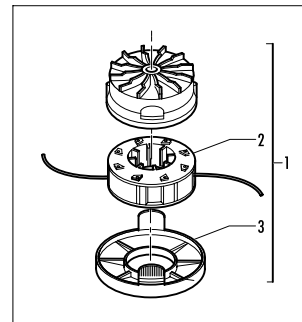


FIGURE 2



brand	FLYMO
-------	--------------

date	JUN/03	SHEET 2/2
------	--------	-----------

Model	Prefix
POWER TRIM 700 EURO	01

Product number
953900332

FIGURE 1

pos		P/N McC	P/N ELX	Qty	DESCRIPTION
C	1	242414	538242414	1	Motor
	2	227123	538227123	1	Ring
	3	241660	538241660	1	Cable+Plug
	4	241570	538241570	1	Metal guard
	5	242381	538242381	1	Right shield
	6	242380	538242380	1	Left Shield
C	7	242379	538242379	1	Cap
	8	240862	538240862	7	Screw
	9	241571	538241571	1	Wires ass'y
	10	• 240794	538240794	1	Radio int. Suppressor
	11	• 241814	538241814	1	Rubber cap
	12	242372	538242372	1	Shaft
	13	324295	538324295	1	Snap button
C	14	242419	538242419	1	Grass shield
	15	324316	538324316	1	Screw
	16	235248	538235248	1	Washer
C	17	242375	538242375	1	Push & turn button
C	18	241573	538241573	1	Spring
C	19	242374	538242374	1	Push & turn button
C	20	242384	538242384	1	Handle
C	21	242377	538242377	1	Release button
C	22	242323	538242323	1	Disengaging lever
C	23	241574	538241574	1	Spring
	24	240862	538240862	10	Screw
C	25	241576	538241576	1	Switch
C	26	242378	538242378	1	Micro Switch lever
	27	242383	538242383	1	Right Crankcase
	28	242382	538242382	1	Left Crankcase
	29	241052	538241052	1	Clamp
	30	241051	538241051	1	Fair lead
	31	229791	538229791	2	Screw

FIGURE 2

C	1	242416	538242416	1	String Head
A	2	• 248750	538248750	1	Spool+Line
B	3	• 248751	538248751	1	String Head Cover

A= ALTA ROTAZIONE
B=MEDIA ROTAZIONE
C=BASSA ROTAZIONE

A=HIGH MOVING
B=MEDIUM MOVING
C=SLOW MOVING

A=HAUTE DEMANDE
B=MOYENNE DEMANDE
C=BASSE DEMANDE

A=GROÙE NACHFRAGE
B=MITTELMAÖÙIGE
C=WENIGE NACHFRAGE